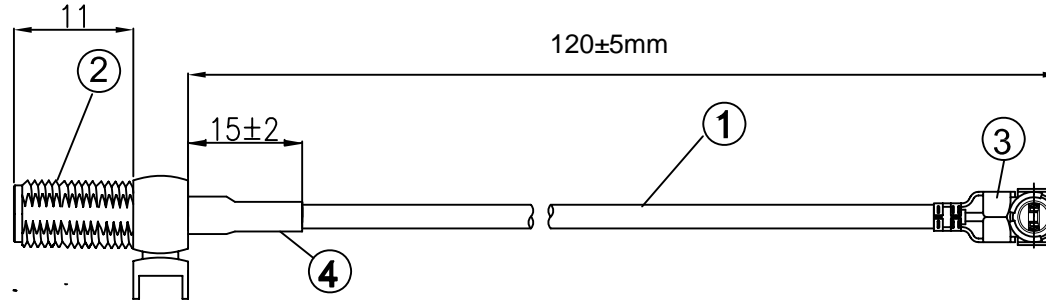


# Kinghelm®

## Model: KH-IPEX-SMAKWE-Q120H



**NOTES:**

1. ELECTRICAL:
  - 1.1. VOLTAGE RATING:DCV 300V 10MS
  - 1.2. CONDUCTANCE RESISTANCE: 3.0 OHM/MAX.
  - 1.3. INSULATION RESISTANCE: 5.0M OHM/MIN.
  - 1.4. THE CABLE SHOULD BE 100% ELECTRICAL TEST
  - 1.5. IT SHOULD BE NO ANY OPEN/SHORT, MISWIRING AND INTERMITTENT FAILURES
2. MATERIAL:
  - 2.1. SEE TABLE
3. ALL COMPONENTS ARE RoHS COMPLIANT.

ITEM NO.	PATR NUMBER	DESCRIPTION	QTY
④	Tube	Black Heat-shrink Tube, OD:2.0MM	AS
③	Terminal	High-quality Copy I-PEX 1.13 Terminal, gold-plating	1
②	Joint	SMA-K, with 4 terminals split-type with 11 screws, gold-plating(SMA-K)	1
①	Coaxial Cable	RF 1.13 Black Cable, OD:1.13mm	AS

SHENZHEN KINGHELM ELECTRONIC CO., LTD.		WWW.BDS666.COM	
<b>KH-IPEX-SMAKWE-Q180H</b>		0755-83044319	
ALL DIMENSION ARE IN MM	DRAWN James	DATE 2020-04-15	I-PEX 1.13 TO SMA /F L= 120 mm
	CHKD. Frank	2020-04-15	
COMPUTER GENERATED IN SOLIDWORKS	APPD. Scott	2020-04-15	
DO NOT SCALE THIS DRAWING			
PROJECTION	GENERAL TOLERANCE FOR ANGLES X.X X.XX X.XXX ± 1° ± 0.3 ± 0.25 ± 0.150		SIZE Number <b>B</b>
CUSTOMER P/N:			REV <b>A</b>
		SCALE: Free	TYPE SHEET 1 OF 1