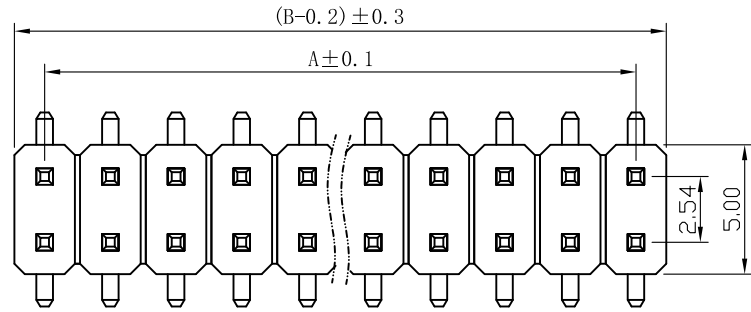
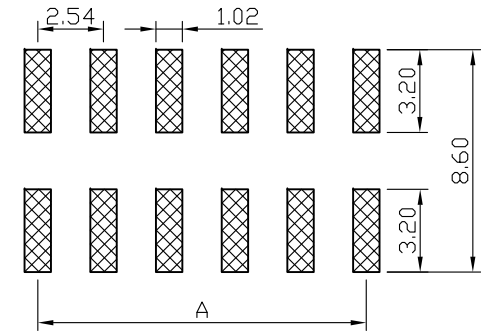
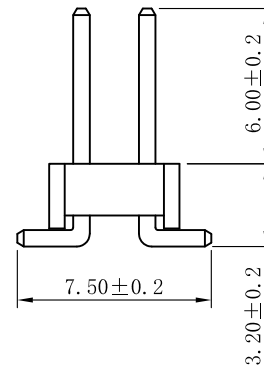
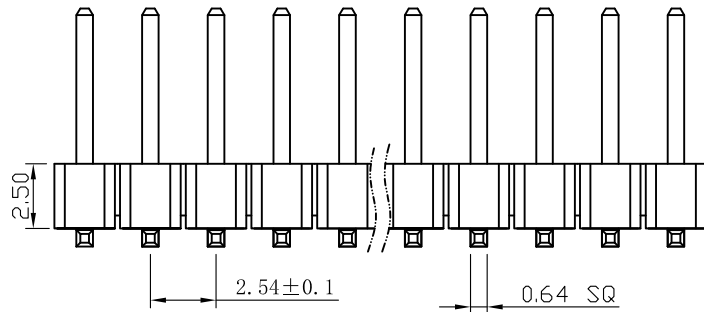


**Kinghelm®**



### SPECIFICATIONS

Current Rating: 3Amps  
 Insulation Resistance: 1000MΩ Min  
 Contact Resistance: 20mΩ Max  
 Withstanding Voltage: AC 1000V  
 Operation Temperature: -40° to +105°  
 Contact Material: Brass  
 Standard: PA6T  
 Insulator Material: Polyester (UL 94V-0)  
 Contact Plating: Gold Flash  
 Max. Processing Temp: 240° C for 30-60 seconds  
 (260° C for 5 seconds)



**RECOMMEND P. C. B LAYOUT**

PCB TOLERANCE: ±0.05 (TOP VIEW)

深圳市金航标电子有限公司

www.kinghelm.com.cn

KH-2.54PH-2X6P-L11.0-SMT

0755-28190160

UNLESS OTHERWISE SPECIFIED TOLERANCE

X : ±0.30 X° : ±5°  
 X.X : ±0.25 X.X° : ±1°  
 X.XX : ±0.20 X.XX° : ±0.5°

DRAWN NAME: 2.54PH H2.5 2xnPin SMT PC7.5 PA6.0 PB3.2 L11.0 6T

|      |    |       |     |            |
|------|----|-------|-----|------------|
| SIZE | A4 | SCALE | N:1 | PROUCT NO. |
| REV  | A  | UNIT  | mm  | PROJECT    |

CHECKED: 陈超凡 2022/04/24 CHECKED: / / APPROVED: / /

| No. of | DIM. A | DIM. B | No. of | DIM. A | DIM. B | No. of | DIM. A | DIM. B | No. of | DIM. A | DIM. B |
|--------|--------|--------|--------|--------|--------|--------|--------|--------|--------|--------|--------|
| 1      | 0.00   | 2.54   | 11     | 25.40  | 27.94  | 21     | 50.80  | 53.34  | 31     | 76.20  | 78.74  |
| 2      | 2.54   | 5.08   | 12     | 27.94  | 30.48  | 22     | 53.34  | 55.88  | 32     | 78.74  | 81.28  |
| 3      | 5.08   | 7.62   | 13     | 30.48  | 33.02  | 23     | 55.88  | 58.42  | 33     | 81.28  | 83.82  |
| 4      | 7.62   | 10.16  | 14     | 33.02  | 35.56  | 24     | 58.42  | 60.96  | 34     | 83.82  | 86.36  |
| 5      | 10.16  | 12.70  | 15     | 35.56  | 38.10  | 25     | 60.96  | 63.50  | 35     | 86.36  | 88.90  |
| 6      | 12.70  | 15.24  | 16     | 38.10  | 40.64  | 26     | 63.50  | 66.04  | 36     | 88.90  | 91.44  |
| 7      | 15.24  | 17.78  | 17     | 40.64  | 43.18  | 27     | 66.04  | 68.58  | 37     | 91.44  | 93.98  |
| 8      | 17.78  | 20.32  | 18     | 43.18  | 45.72  | 28     | 68.58  | 71.12  | 38     | 93.98  | 96.52  |
| 9      | 20.32  | 22.86  | 19     | 45.72  | 48.26  | 29     | 71.12  | 73.66  | 39     | 96.52  | 99.06  |
| 10     | 22.86  | 25.40  | 20     | 48.26  | 50.80  | 30     | 73.66  | 76.20  | 40     | 99.06  | 101.60 |