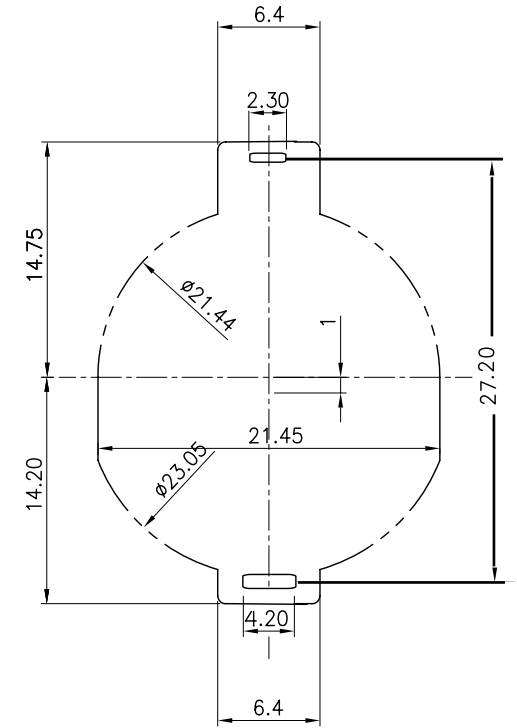
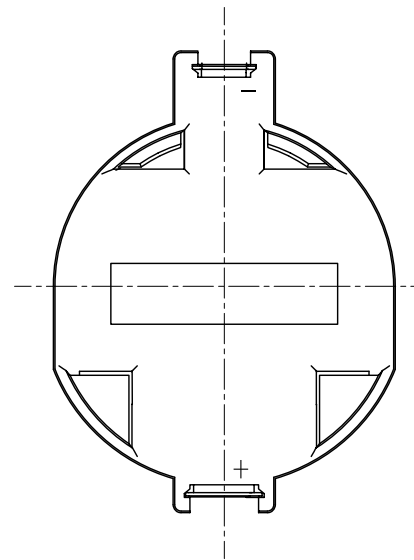
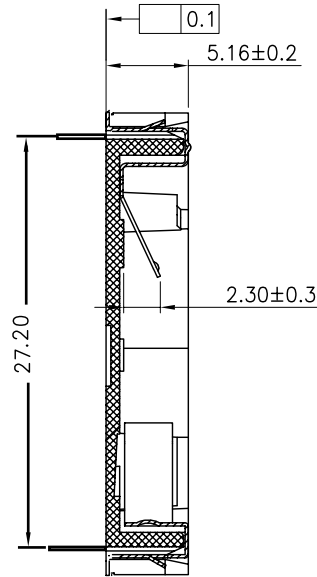
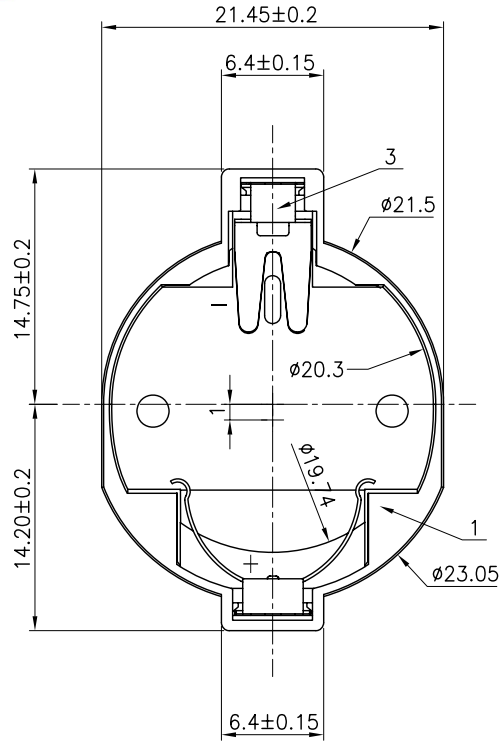


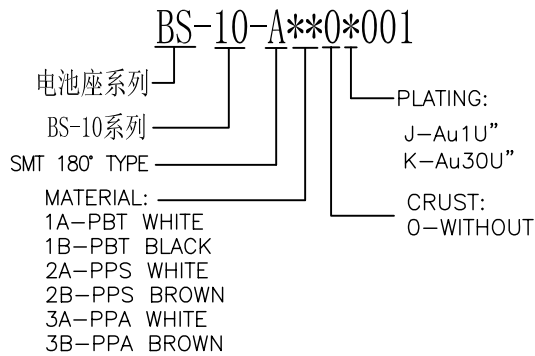


Kinghelm®

REV.	ECN NO.	REVISED	DATE



ORDERING INFORMATION



NOTE:

- MATERIAL:
 - a. HOUSING: THERMOPLASTIC GLASS FIBRE UL94V-0
 - b. CONTACT: PHOSPHOR BRONZE (SURFACE PLATING: Au*u")
- ELECTRIC:
 - a. CONTACT RESISTANCE: 30 MILLIOHMS MAX
 - b. INSULATION RESISTANCE: 1000 MEGA OHMS MIN
 - c. DIELECTRIC VOLTAGE: 750V AC ONE SEC LEVEL
 - d. OPERATING TEMPERATURE: -55° C ~ +85° C

Recommend PCB Layout
PCB Top View

SEE ORDERING INFORMATION

3	SPRING(-)	1	Phosphor Bronze, T=0.20	Au-Plated	
2	SPRING(+)	1	Phosphor Bronze, T=0.20	Au-Plated	
1	HOUSING	1	PPS	Black	
NO.	PART NAME	TER'NO.	Q'TY	MATERIAL	PLATING & COLOR

DECIMALS: X		ANGLES: ±1° ±0.5'		SCALE: 1:1		SIZE: A4		VIEW:		MODEL TYPE: BATTERY HOLDER CR2032	
X.XXX ±0.10				UNIT: mm		REV.: A/0		OBJECT:		PART NO: BS-10(Sony)	
				DSND		DATE					
				CHKD		DATE					
				APVD		DATE					
WEIGHT: g		深圳市金航标电子有限公司				www.kinghelm.com.cn					
SHEET 1 OF 1		KH-BS-10-Z				0755-28190160					