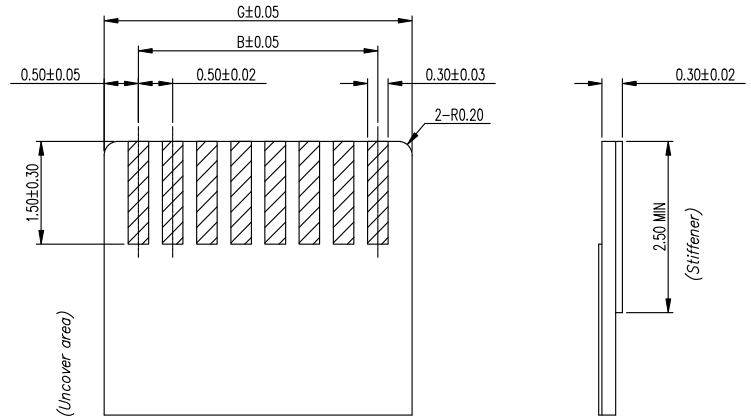


Recommended PCB mounting pattern and metal mask dimensions

Recommended metal mask thickness: $t=0.1$



Recommended FPC/FFC Dimensions

50	27.00	24.50	25.57	26.39	26.10	26.90	25.50
45	24.50	22.00	23.07	23.89	23.60	24.40	23.00
40	22.00	19.50	20.57	21.39	21.10	21.90	20.50
34	19.00	16.50	17.57	18.39	18.10	18.90	17.50
32	18.00	15.50	16.57	17.39	17.10	17.90	16.50
30	17.00	14.50	15.57	16.39	16.10	16.90	15.50
28	16.00	13.50	14.57	15.39	15.10	15.90	14.50
26	15.00	12.50	13.57	14.39	14.10	14.90	13.50
24	14.00	11.50	12.57	13.39	13.10	13.90	12.50
22	13.00	10.50	11.57	12.39	12.10	12.90	11.50
20	12.00	9.50	10.57	11.39	11.10	11.90	10.50
18	11.00	8.50	9.57	10.39	10.10	10.90	9.50
16	10.00	7.50	8.57	9.39	9.10	9.90	8.50
14	9.00	6.50	7.57	8.39	8.10	8.90	7.50
12	8.00	5.50	6.57	7.39	7.10	7.90	6.50
11	7.50	5.00	6.07	6.89	6.60	7.40	6.00
10	7.00	4.50	5.57	6.39	6.10	6.90	5.50
8	6.00	3.50	4.57	5.39	5.10	5.90	4.50
7	5.50	3.00	4.07	4.89	4.60	5.40	4.00
6	5.00	2.50	3.57	4.39	4.10	4.90	3.50
5	4.5	2.00	3.07	3.89	3.60	4.50	3.00
4	4.00	1.50	2.57	3.39	3.10	3.90	2.50
Number of Contacts	DIM A	DIM B	DIM C	DIM D	DIM E	DIM F	DIM G

本产品符合 RoHS 符合 SONY00259 符合 HF 其它

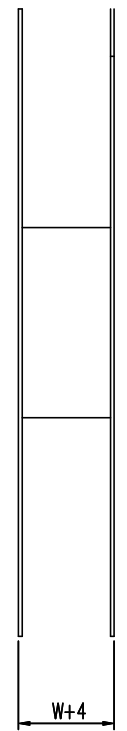
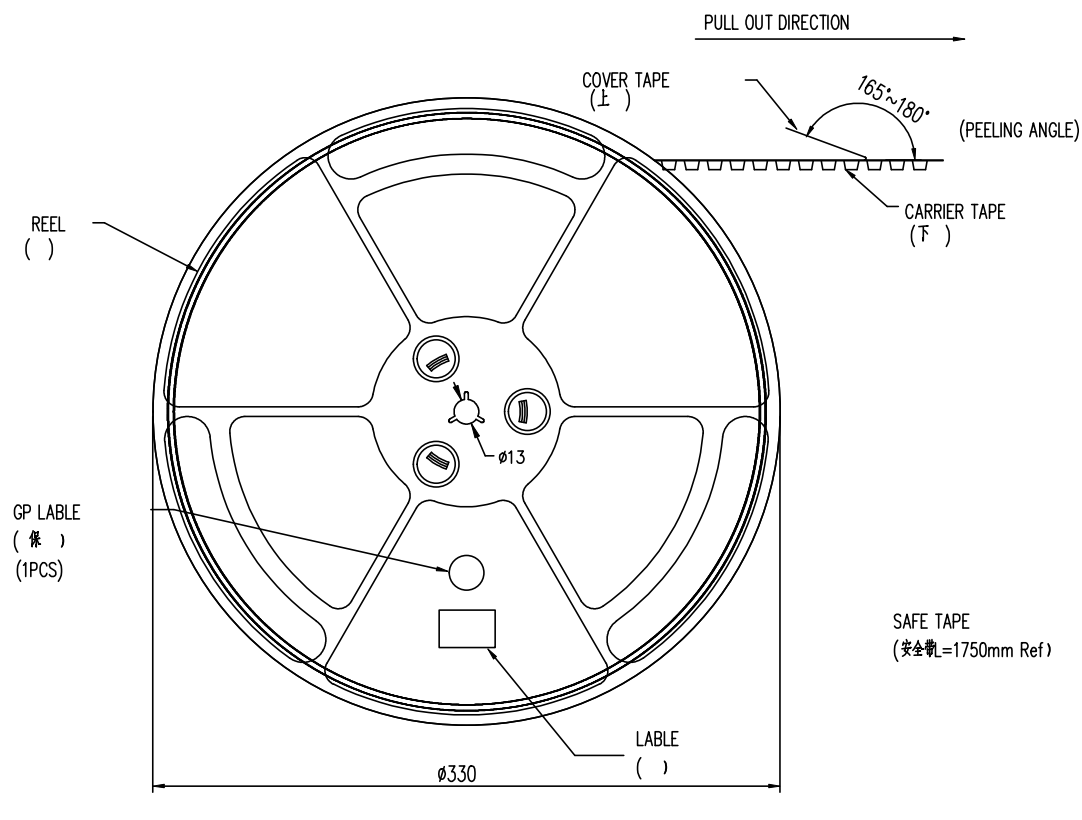
※禁止使用本公司所禁用有毒物质

B	盖子高度由1.75改为1.55MM	2021051001	liupeng	2021/5/10
A	NEW DRAWING		liupeng	
REV	DESCRIPTION	ECN.NO	BY	DATE

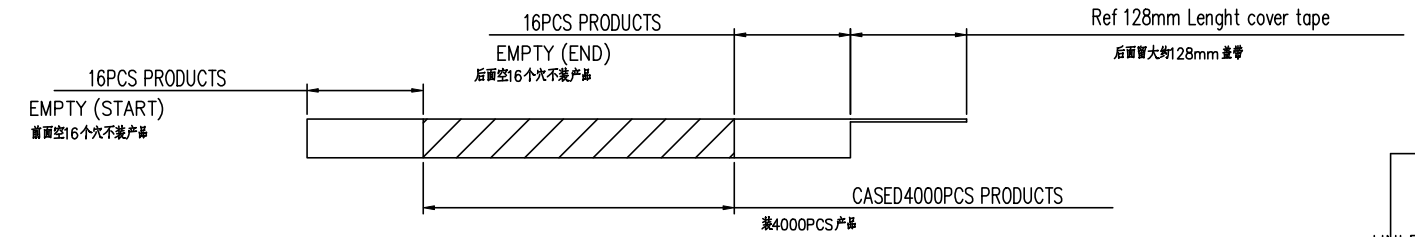
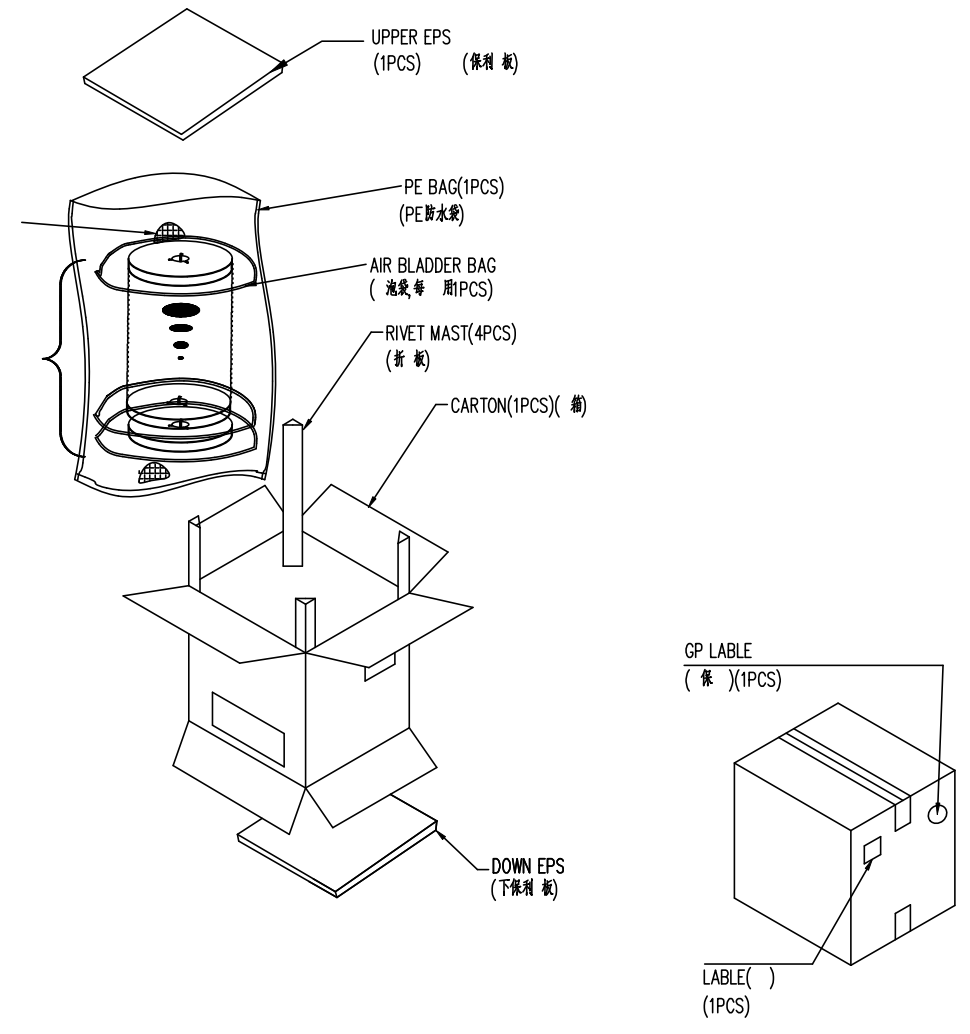
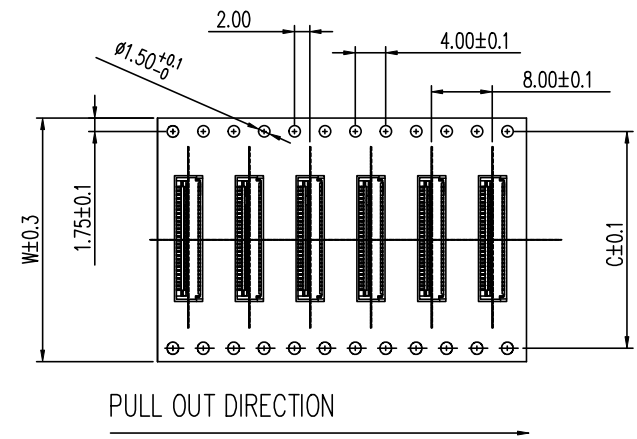
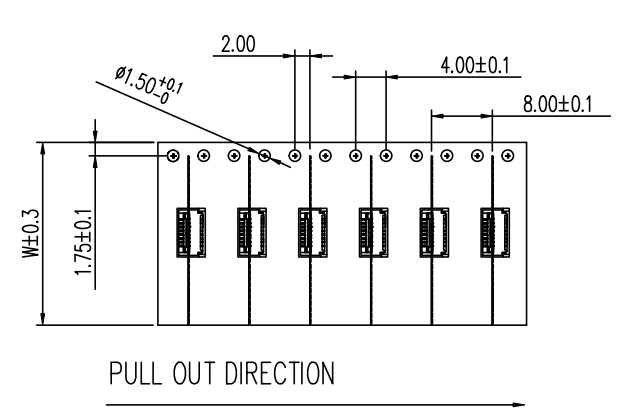
- TOLERANCES - UNLESS OTHERWISE SPECIFIED 公差 参考		深圳市金航标电子有限公司 www.kinghelm.com.cn	
		KH-FPC0.5-H1.0SMT-30P-QCHF	
		0755-28190160	
		TITLE: FPC 0.5Pitch 1.0H ZIF 品名: R/A Connector	
X.X : ±0.30		X.X* : ±5*	
X.XX : ±0.20		X.XX* : ±2*	
X.XXX : ±0.10		X.XXX* : ±1*	
APPD: 核准:		DWG NO: 物料: FP242AH-0XXG10M	
CHECK: 校:		DATE	
DRAW: :		SCALE	
LIU		UNIT	
		PAGE	
		20111209	
		1:1	
		mm	
		2/2	

NOTE:

- 1.10 Sprocket hole pitch cumulative tolerance ± 0.20 .
2. Carrier camber is within 1mm in 100mm.
3. Material: black conductive polystyrene alloy.
4. Material Thickness: 0.3 ± 0.05 mm.
5. All dimensions meet EIA-481-B requirements.
6. 4000pcs Pef Reel.
7. For tape width(dim W)16 and 24mm pilot holes are provided on one sides. For tape width(dim W)32, 44 and 56mm pilot holes are provided on both sides.



SCALE 1:4



PIN NO.	W	C	PCS /REEL	REEL/CARTON	SUM(PCS)
04PIN~14PIN	16	-	4000	14	56000
16PIN~24PIN	24	-	4000	10	40000
28PIN~39PIN	32	28.4	4000	8	32000
40Pin~50PIN	44	40.4	4000	6	24000

—TOLERANCES—
UNLESS OTHERWISE SPECIFIED
公差 考表

X.X	: ±0.30	X.X*	: ±5°
X.XX	: ±0.20	X.XX*	: ±2°
X.XXX	: ±0.10	X.XXX*	: ±1°

深圳市金航标电子有限公司
www.kinghelm.com.cn
KH-FPC0.5-H1.0SMT-30P-QCHF
0755-28190160

TITLE: 0.5mm Pitch FPC Connector
品名: 0.5mm Pitch FPC Connector

APPD: 核准: LIU
CHECK: 校: LIU
DRAW: 校: LIU

DWG NO: FP242AH-0XXG10M
品料: FP242AH-0XXG10M

DATE	SCALE	UNIT	PAGE
	1:1	mm	1/1

本产品符合 RoHS 符合 SONY00259 符合 HF 其他
*禁止使用本公司所禁用有毒物质

A	New Drawing		LIU	02/27'13
REV	DESCRIPTION	ECN.NO	BY	DATE