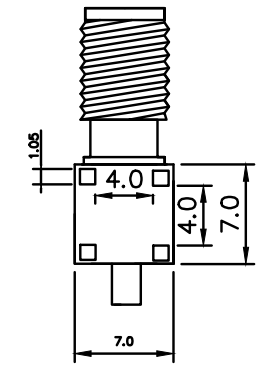
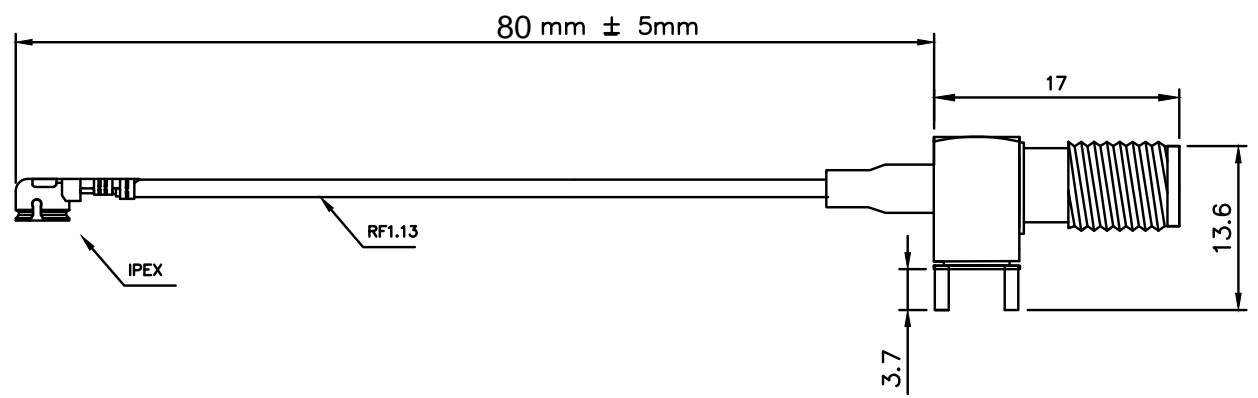


MAIN TECHNICAL SPECIFICATIONS	
model Type	
FREQUENCY RANGE	0-3G
INPUT IMPEDANCE	50 OHM
VSWR	1:1.2
GAIN	----
POLARIZATION FORM	----
RADIATION	----
MAXIMUM POWER	----
CABLE	RF1.13- 80MM
MAX DIAMETER	13.6mm
MIN DIAMETER	1.13mm
CONNECTOR TYPE	IPEX -- SMAKWE
LIGHTING PROTECTION	DC GROUNDING



深圳市金航标电子有限公司	WWW.BDS666.COM
KH-IPEX-SMAKWE-B80H	0755-83044319

技术详询

DWN BY/DATE JIANG 2015-03-25	DESG BY/DATE	TOLERANCES .X± .XX± .XXX± ANGLES±	SCALE 1 : 1	UNIT m / m	ENG PROJECT NO. KH 150325-0025	TITLE YL-IPEX-SMAKWE-RR1.13- 80MM
CHK BY/DATE	APPD BY/DATE			SH 1 OF 1	CONTROL NO. REFER TO: RADIOMETRIX	DWG NO. P/N: RFV