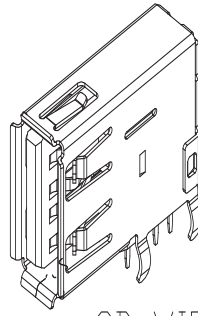


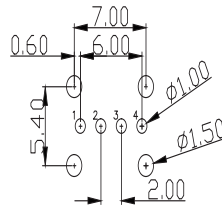
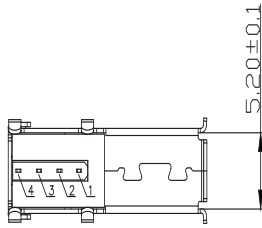
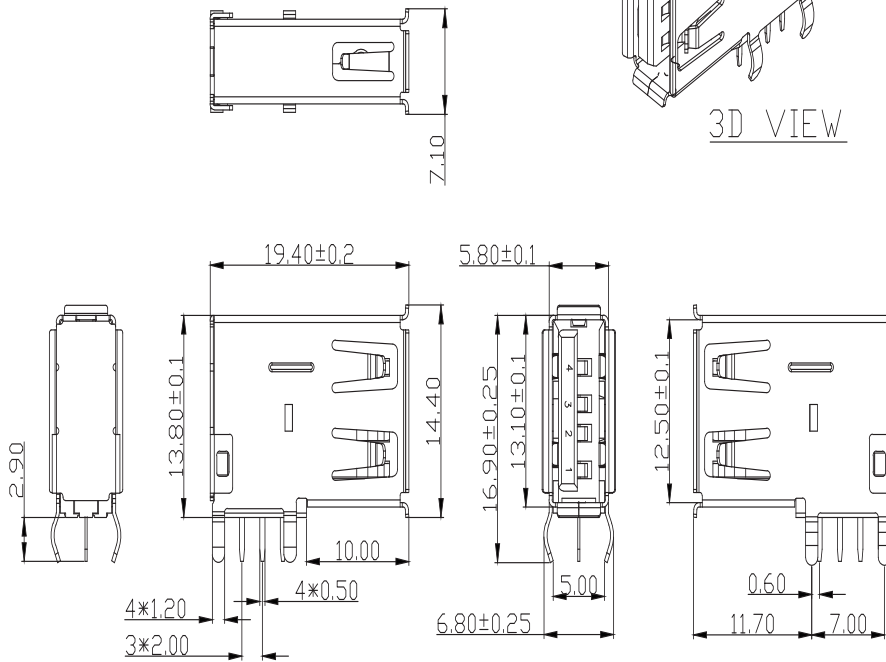
REV.	ECN NO.	DESCRIPTION	DATE	DESIGN
A1.	/.	重新核对图面	21.01.07	LiHui



3D VIEW

NOTES:

1. MATERIAL:
 - 1.1. HOUSING: PBT ,COLOR IS WHITE;
 - 1.2. CONTACT: BRASS,T=0.25±0.02mm;
 - 1.3. SHELL: SPCC,T=0.3±0.02mm;
2. FINISH:
 - 2.1. TERMINAL:
 - CONTACT AREA: GOLD PLATED G/Fu";
 - SOLDER AREA: PLATED OVER TIN;
 - 2.2. SHELL: NI PLATED OVER ALL ;
3. RECINNEDDED PCB THICKNESS: 1.60mm;
4. ELECTRICAL:
 - 4.1. VOLTAGE RATING: 30 VAC RMS;
 - 4.2. CURRENT RATING: 1.5 AMP;
 - 4.3. CONTACT RESISTANCE: 30MILLIOHMS MAX.;
 - 4.4. WITHSTAND VOLTAGE: 500 VAC RMS
50(60)Hz,1MIN.;
 - 4.5. INSULATION RESISTANCE: 100MEGOHMS MIN
@500V DC;
5. MECHANICAL:
 - 5.1. MATING FORCE: 35N MAX.;
 - 5.2. UNMATING FORCE: 5~35N;
 - 5.3. OPERATING LIFE: 1500 CYCLES MIN.;
6. ENVIRONMENTAL:
 - 6.1. STORAGE TEMPERATURE RANGE: -40°C~+85°C;
 - 6.2. OPERATION TEMPERATURE RANGE: -25°C~+70°C;



RECOMMEND PCB LAYOUT(±0.05)

深圳市金航标电子有限公司		WWW.BDS666.COM		
KH-AF90WJ-19.4JB-C1.2X6.8		0755-83044319		
UNLESS OTHERWISE, GENERAL TOLERANCE: X.xxx ±0.10 X.xx ±0.20 X.x ±0.30	NAME:	A母侧插长体有边 (K脚1.2*6.8) 白胶		P/N: 09.04.01.009
	THIRD ANGLE PROJECTION	UNIT:	SCALE:	SIZE: SHEET: REV.:
ANGULAR: X.xx' ±1' X.x' ±3' X.' ±5'		mm	1:1	A4 1/1 A1
	DRAWN:	CHECKED:	APPROVED	