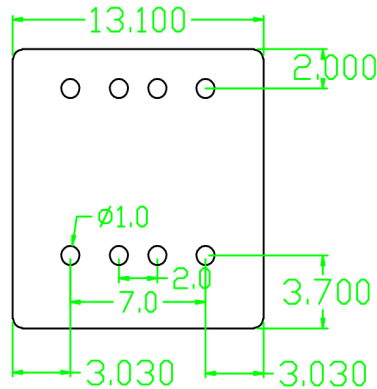
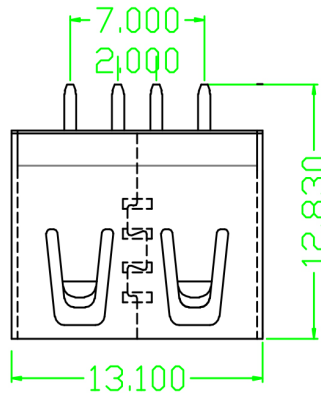
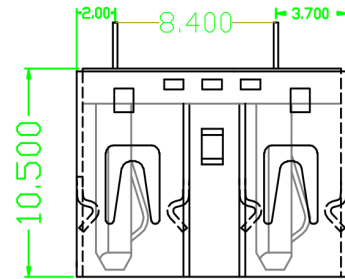
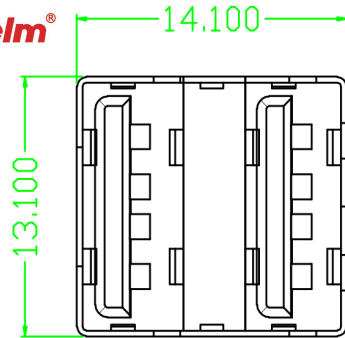


Kinghelm®



1. Material:
 - Contacts: Phosphor Bronze
 - Insulator: PBT+30%
 - G. F. UL 94V-0
 - Shell: SPCC
2. Mechanical:
 - Mating: 35N max.
 - Withdrawal Force: 10N min.
 - Durability: 1500 cycles min.
3. Electrical:
 - Current-max (amps) 1.5A
 - Voltage-max (volts) 30V
 - Withstanding Voltage 750V AC
 - Contact Resistance (ohms) 30 milliohms max
 - Insulation Resistance (ohms) 1000 Megohms min.
4. Plating:
 - Contacts: Gold And Tin Over Nickel Plated
 - Shell: Nickel over all plating.
5. Environmental:
 - Temperature Range: -55 to 85

产品图
MANUFACTURE DVC

公差一览表
TOLERANCE UNLESS OTHERWISE

深圳市金航标电子有限公司 WWW.BDS666.COM
KH-2AF180-10.5 0755-83044319

单位 UNIT	MM		INCH
.X	±0.20	.X	±---
.XX	±0.10	.XX	±---
.XXX	±0.05	.XXX	±---
2013. 08. 29			

产品名称		制图		审核	
角法 VIEW		DRAWING		CHECK	
比例 SCALE		设计		核准 APPD	
1:1					
版本	AI	图号	CXC1	页数 1/1	