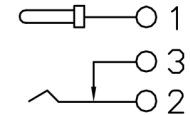
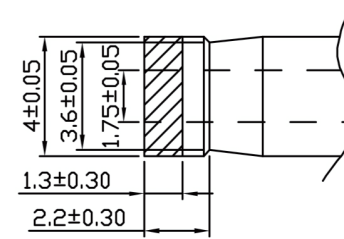
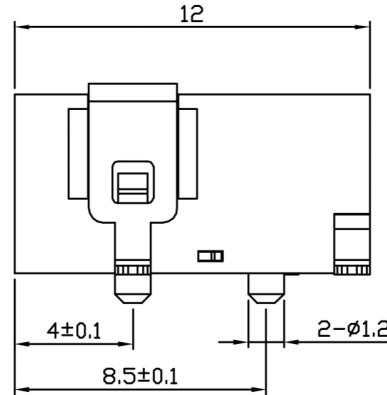
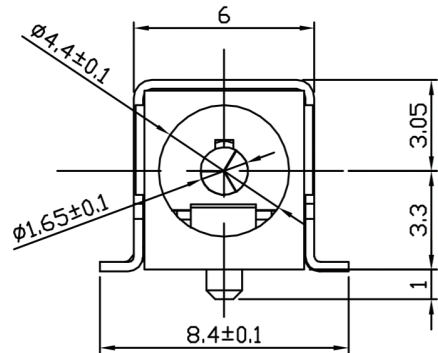
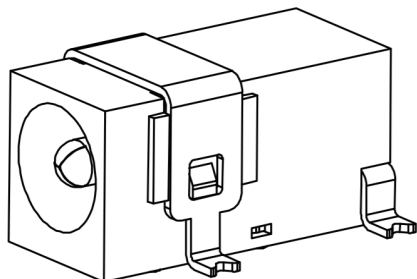


PCB LAYOUT TOP VIEW



CIRCUIT DIAGRAM



No.	PART NAME	QTY	MATERIAL (THICK, COLOR)	REMARK
⑤	HOUSING PH-DC-0507-L.6B	1	PA-9T2330 (BLACK)	
④	TERMINAL MT-DC-0507-4Q.6S	1	BRASS t=0.30	Ag-Plated
③	TERMINAL MT-DC-0507-3Q.6S	1	BRASS t=0.30	Ag-Plated
②	TERMINAL MT-DC-0507-2Q.6S	1	PHOSPHOR BRONZE t=0.30	Ag-Plated
①	TERMINAL MT-DC-0507-1Q.6S	1	BRASS t=0.30	Ag-Plated

Marker	Describe	Data	DSND	APVD	DATE	UNIT: mm	SCALE: 4 : 1	VIEW:	NAME: DC POWER JACK
					2009. 03. 12				CAT. NO. DC- 098
									DWN. NO. Q/XL-QW-001A-0106
UNSPECIFIED TOLERANCE		≤4 ±0.15	4-16 ±0.20	≥16 ±0.30	ANGULAR ±5°	深圳市金航标电子有限公司 KH-DC-098-1.65STM		WWW.BDS666.COM 0755-83044319	